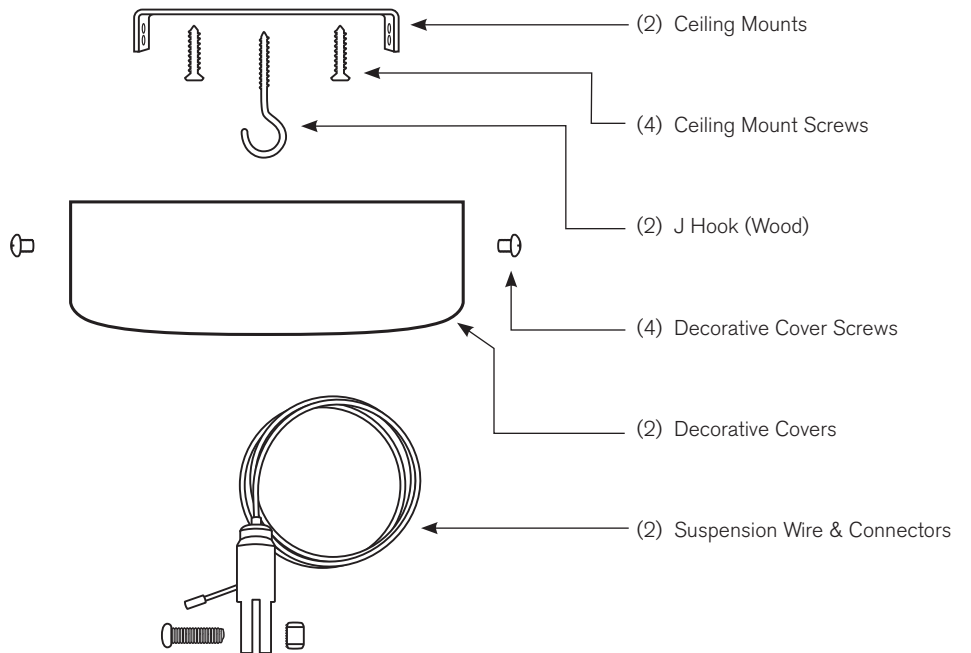


### PARTS LIST

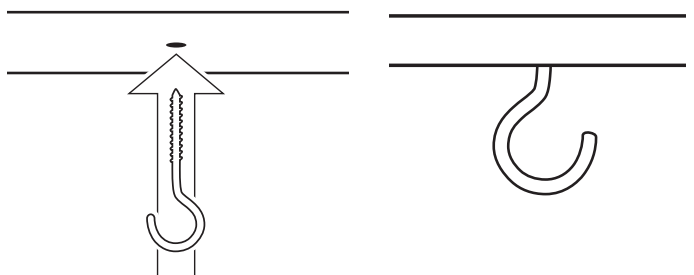


**WARNING**  
 Suspension hardware should be mounted into a secure surface only. Do not mount hardware directly into drywall/gypsum board or any similar material. Mounting hardware **MUST** be attached with the J hooks and into wood supports that can handle 100lbs or more.

### J HOOK

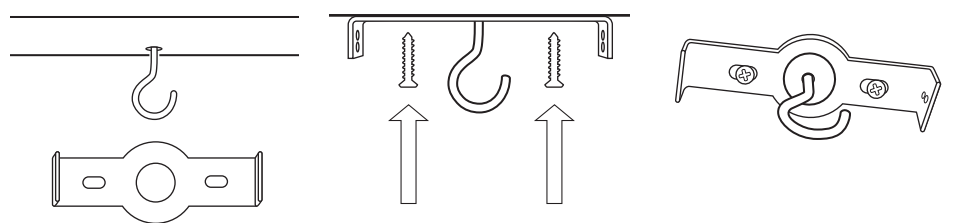
Locate a wood support structure above the aquarium, determine the location for the attachment of the J hooks and secure the hook into the wood.

**TIP:** Aquatic Life recommends the use of a stud finder to locate an appropriate wood support.



### CEILING MOUNT

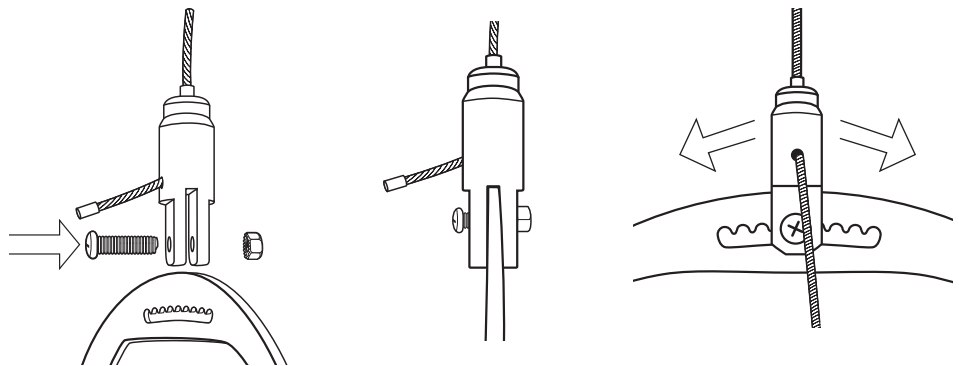
Position each ceiling mount over the J Hook. Align the hook in the center of the ceiling mount hole. Use the two ceiling mount screws to secure to the surface.



### FIXTURE ATTACHMENT

Remove the nut and bolt that is attached through the fixture connector. Place the fixture connector over the suspension bracket and slide into place, align the hole in the connector with the opening in the suspension bracket. Insert bolt and secure nut to the bolt and tighten.

To balance the fixture, loosen the bolt and nut and move the fixture connector forward or backwards on the suspension bracket. When balanced tighten the bolt and nut to secure in place.

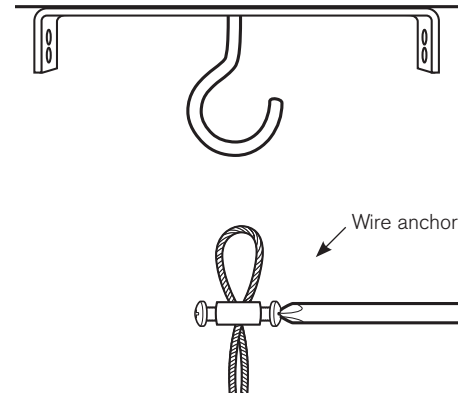


## FIXTURE PLACEMENT AND ADJUSTMENT

To adjust the height of the fixture above the aquarium, first make sure the wire anchor is tight to the wire and that there is a loop that can be placed over the J Hook in the ceiling.



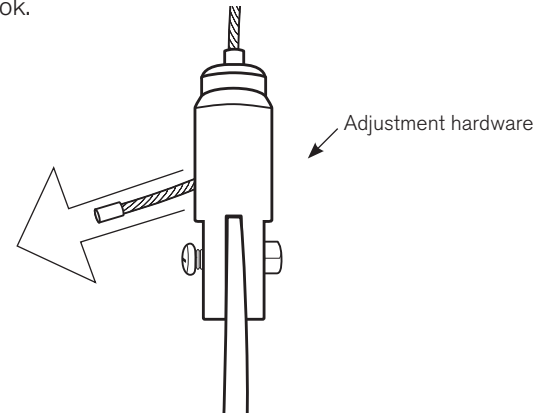
**WARNING:** It is extremely important to make sure the anchor is tight and cannot move. The anchor keeps the light secure to the ceiling.



Place the loop of wire onto the J Hook and allow the wire to suspend from the hook.



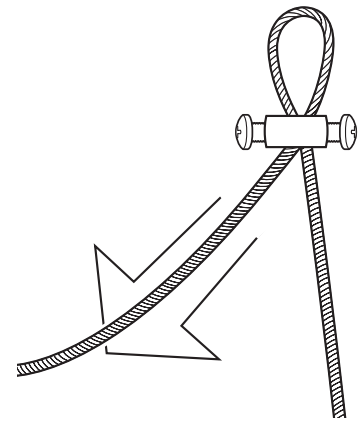
**NOTE:** Slide the Decorative Cover down the wire until it meets the top of the adjustment hardware above the fixture.



Pull any excess wire through the adjustment hardware located above the fixture. Level the fixture and measure the amount of extra wire pulled through the adjustment hardware. You will need the measurement for the next step in the installation.

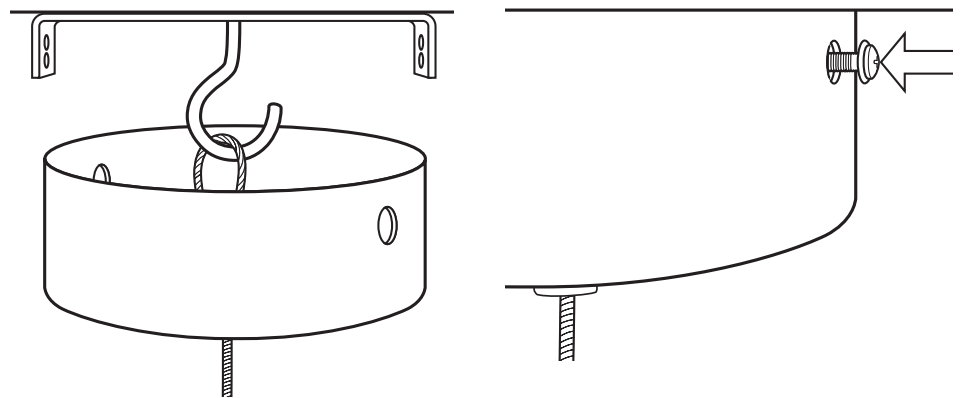
Remove the suspension wires from the J Hooks. Loosen the two screws located in the wire anchor so that the wire can slide freely in the anchor. The amount of *extra* wire pulled through the adjustment hardware should now be pulled through the wire anchor.

After the *extra* wire is pulled through the wire anchor, secure the two screws in the anchor. Place the loop in the suspension wire back over the J Hooks in the ceiling.



## DECORATIVE COVER

Pull the Decorative Cover up and over the ceiling mount and attach the two Decorative Cover screws into the side opening. Secure the Cover.



To loosen the wire pulled through the adjustment hardware, press the small button that is positioned around the wire at the top of the hardware. Gently pull down on the adjustment hardware until the fixture is back to where originally measured.

