

# INSTALLATION & MAINTENANCE GUIDE

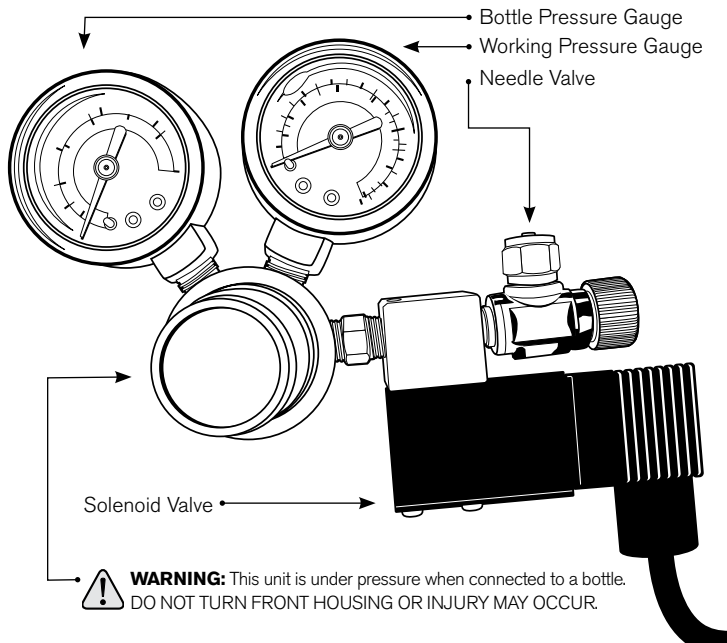
## CO<sub>2</sub> REGULATORS

| Item # | Product Description                           |
|--------|---|
| 240018 | CO2 Regulator with Solenoid Valve             |
| 240217 | CO2 Regulator with Lighted Solenoid Valve     |
| 240190 | Regulator Bottle Adapter CGA 320 to Paintball |



## CO<sub>2</sub> REGULATOR WITH SOLENOID VALVE

### Parts Diagram



### Regulator & Solenoid Installation



**NOTE:** Do not open the CO<sub>2</sub> tank valve until installation is complete.

- 1) Insert bottle gasket (included) into the nut of the regulator and gently thread the nut onto the male adapter located on the CO<sub>2</sub> bottle.



**WARNING:** DO NOT CROSS THREAD, the nut should attach easily to the bottle.

- 2) After hand tightening the regulator to the bottle, use an adjustable wrench to tighten the nut securely to the bottle, DO NOT OVERTIGHTEN.



**TIP:** Align the gauges horizontal so that they will be easy to read during operation.

- 3) Plug the solenoid into an electrical outlet to open the valve.
- 4) Open the needle valve slightly to release CO<sub>2</sub>.



**WARNING:** Wear protective eyewear.

- 5) Open the valve on the CO<sub>2</sub> bottle slowly to release pressure to the regulator.
- 6) After the pressure stabilizes, the gauge should read between 30-50psi (this is the factory preset). Use the needle valve to adjust the desired bubble count into the reaction chamber.

### Tubing Installation

- 1) Unplug the solenoid valve and remove the nut on top of the needle valve.
- 2) Thread the CO<sub>2</sub> tubing through the nut.
- 3) Place the tubing over the tubing connection (exposed) on the needle valve and tighten the nut over the tubing to secure the tubing to the needle valve.
- 4) Attach the other end of the tubing to the device using the CO<sub>2</sub>.
- 5) Plug the solenoid valve into the outlet again and adjust the needle valve until the desired bubble count or flow rate of CO<sub>2</sub> is achieved.

### Operation

The Aquatic Life regulator is intended to be used with a device such as a controller that will power an outlet to activate the solenoid valve when determined by set points. The power cord for the CO<sub>2</sub> regulator should be attached to a controlled outlet at this time.

Aquatic Life LLC • Commerce, CA 90040  
Toll free 1-888-548-3480 • [www.aquaticlife.com](http://www.aquaticlife.com)

© Copyright Aquatic Life LLC  
P/N 9000074  
05/11

### Limited Warranty

Aquatic Life, LLC warrants that this Regulator with Solenoid Valve shall be free from defective electrical components and leaks or cracks due to defects in materials or workmanship for a period of twelve (12) months from the date of purchase. If a defect is shown, Aquatic Life, LLC will, at Aquatic Life's sole discretion, either repair or replace the product without charge. No cash refunds will be made. This warranty is provided solely to the original consumer purchaser of the product and may not be transferred or assigned.

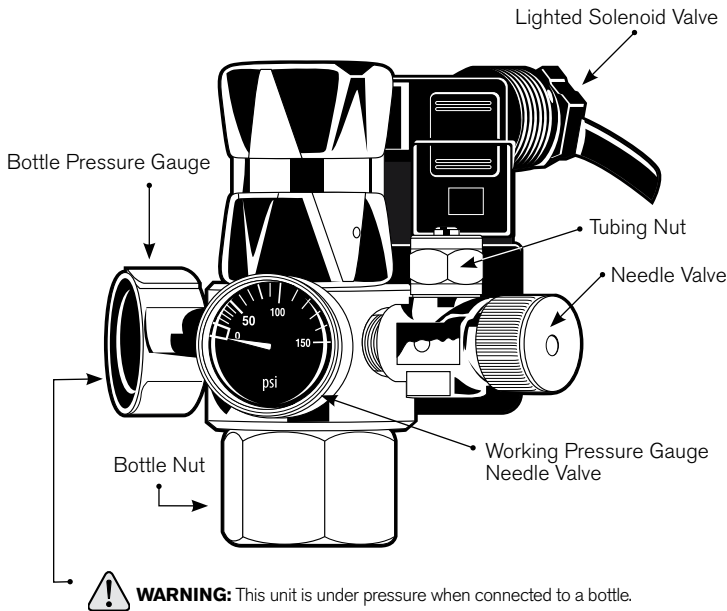
This warranty does not apply to damage resulting from accident, misuse, abuse, lack of reasonable care, failure to follow safety and installation instructions, use of the product with non-standard electrical service, or any other defect not resulting from defects in the electrical components of the product or defects in materials or workmanship. This warranty will not be effective unless and until the Aquatic Life product is shown to have been used in accordance with the safety and installation instructions accompanying the product.

THIS CONSTITUTES AQUATIC LIFE'S ENTIRE WARRANTY AND AQUATIC LIFE MAKES NO OTHER WARRANTIES, WHETHER EXPRESS OR IMPLIED, WITH RESPECT TO THE PRODUCT. AQUATIC LIFE, LLC SPECIFICALLY DISCLAIMS ANY AND ALL IMPLIED WARRANTIES, INCLUDING, WITHOUT LIMITATION, WARRANTIES OF MERCHANTABILITY AND FITNESS FOR A PARTICULAR PURPOSE. IF AQUATIC LIFE, LLC CANNOT LAWFULLY DISCLAIM IMPLIED WARRANTIES UNDER THIS LIMITED WARRANTY, ALL SUCH WARRANTIES, INCLUDING WARRANTIES OF MERCHANTABILITY AND FITNESS FOR A PARTICULAR PURPOSE ARE LIMITED IN DURATION TO THE DURATION OF THIS WARRANTY.

AQUATIC LIFE IS NOT RESPONSIBLE FOR DIRECT, SPECIAL, INCIDENTAL OR CONSEQUENTIAL DAMAGES RESULTING FROM ANY BREACH OF WARRANTY OR CONDITION, OR UNDER ANY OTHER LEGAL THEORY. AQUATIC LIFE, LLC EXPRESSLY DISCLAIMS ALL ALLEGED DAMAGES FOR LOSS OF MARINE LIFE, PERSONAL INJURY, AND/OR PROPERTY DAMAGE. Some states and provinces do not allow the exclusion or limitation of incidental or consequential damages or exclusions or limitations on the duration of implied warranties or conditions, so the above limitations or exclusions may not apply to you. This warranty gives you specific legal rights, and you may also have other rights that vary by state or province.

## CO<sub>2</sub> REGULATOR WITH LIGHTED SOLENOID VALVE

### Parts Diagram



### Regulator & Solenoid Installation



**NOTE:** Do not open the CO<sub>2</sub> tank valve until installation is complete.

- 1) Insert Bottle Gasket (included) into the Bottle Nut of the regulator and gently thread the Bottle Nut onto the male adapter located on the CO<sub>2</sub> bottle.



**WARNING:** DO NOT CROSS THREAD, the nut should attach easily to the bottle.

- 2) After hand tightening the regulator to the bottle, use an adjustable wrench to tighten the Bottle Nut securely to the bottle, DO NOT OVERTIGHTEN.



**TIP:** Align the gauges so that they will be easy to read during operation.

- 3) Plug the solenoid into an electrical outlet to open the valve.
- 4) Turn the Needle Valve counter-clockwise slightly to open and release CO<sub>2</sub>.



**WARNING:** Wear protective eyewear.

- 5) Open the valve on the CO<sub>2</sub> bottle slowly to release pressure to the regulator.
- 6) After the pressure stabilizes, the gauge should read between 30-50psi (this is the factory preset). Use the Needle Valve to adjust the desired bubble count into the reaction chamber.

### Tubing Installation

- 1) Unplug the solenoid valve and remove the Tubing Nut on top of the Needle Valve.
- 2) Thread the CO<sub>2</sub> tubing through the Tubing Nut.
- 3) Place the tubing over the tubing connection (exposed) on the Needle Valve and tighten the Tubing Nut over the tubing to secure the tubing to the Needle Valve.
- 4) Attach the other end of the tubing to the device using the CO<sub>2</sub>.
- 5) Plug the solenoid valve into the outlet again and adjust the Needle Valve until the desired bubble count or flow rate of CO<sub>2</sub> is achieved.

### Operation

The Aquatic Life regulator is intended to be used with a device such as a controller that will power an outlet to activate the solenoid valve when determined by set points. The power cord for the CO<sub>2</sub> regulator should be attached to a controlled outlet at this time.

Aquatic Life LLC • Commerce, CA 90040  
Toll free 1-888-548-3480 • [www.aquaticlife.com](http://www.aquaticlife.com)

© Copyright Aquatic Life LLC  
P/N 9000385  
05/11

### Limited Warranty

Aquatic Life, LLC warrants that this Regulator with Solenoid Valve shall be free from defective electrical components and leaks or cracks due to defects in materials or workmanship for a period of twelve (12) months from the date of purchase. If a defect is shown, Aquatic Life, LLC will, at Aquatic Life's sole discretion, either repair or replace the product without charge. No cash refunds will be made. This warranty is provided solely to the original consumer purchaser of the product and may not be transferred or assigned.

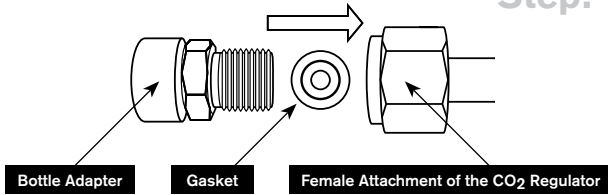
This warranty does not apply to damage resulting from accident, misuse, abuse, lack of reasonable care, failure to follow safety and installation instructions, use of the product with non-standard electrical service, or any other defect not resulting from defects in the electrical components of the product or defects in materials or workmanship. This warranty will not be effective unless and until the Aquatic Life product is shown to have been used in accordance with the safety and installation instructions accompanying the product.

THIS CONSTITUTES AQUATIC LIFE'S ENTIRE WARRANTY AND AQUATIC LIFE MAKES NO OTHER WARRANTIES, WHETHER EXPRESS OR IMPLIED, WITH RESPECT TO THE PRODUCT. AQUATIC LIFE, LLC SPECIFICALLY DISCLAIMS ANY AND ALL IMPLIED WARRANTIES, INCLUDING, WITHOUT LIMITATION, WARRANTIES OF MERCHANTABILITY AND FITNESS FOR A PARTICULAR PURPOSE. IF AQUATIC LIFE, LLC CANNOT LAWFULLY DISCLAIM IMPLIED WARRANTIES UNDER THIS LIMITED WARRANTY, ALL SUCH WARRANTIES, INCLUDING WARRANTIES OF MERCHANTABILITY AND FITNESS FOR A PARTICULAR PURPOSE ARE LIMITED IN DURATION TO THE DURATION OF THIS WARRANTY.

AQUATIC LIFE IS NOT RESPONSIBLE FOR DIRECT, SPECIAL, INCIDENTAL OR CONSEQUENTIAL DAMAGES RESULTING FROM ANY BREACH OF WARRANTY OR CONDITION, OR UNDER ANY OTHER LEGAL THEORY. AQUATIC LIFE, LLC EXPRESSLY DISCLAIMS ALL ALLEGED DAMAGES FOR LOSS OF MARINE LIFE, PERSONAL INJURY, AND/OR PROPERTY DAMAGE. Some states and provinces do not allow the exclusion or limitation of incidental or consequential damages or exclusions or limitations on the duration of implied warranties or conditions, so the above limitations or exclusions may not apply to you. This warranty gives you specific legal rights, and you may also have other rights that vary by state or province.

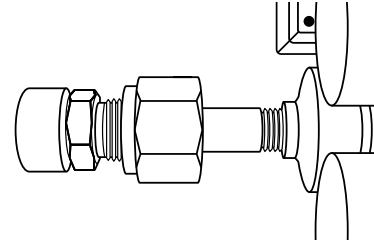
## CO<sub>2</sub> BOTTLE ADAPTER (CGA 320 TO PAINTBALL)

### Step: 1/3



Insert the included gasket between the female attachment of the CO<sub>2</sub> regulator and the bottle adapter.

### Step: 2/3

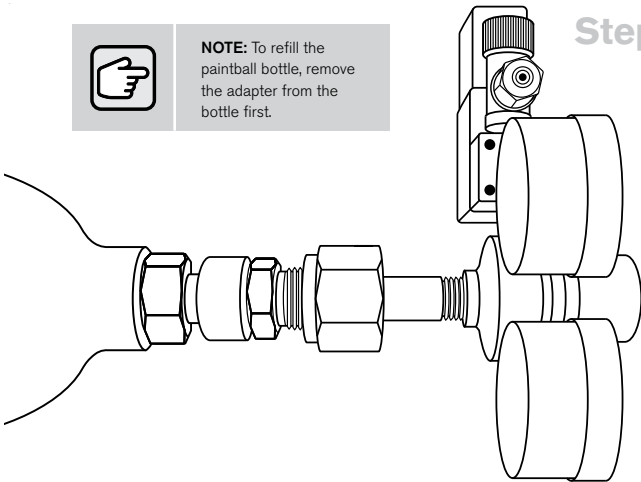


The parts **MUST** be tightened together prior to attachment to the paintball bottle. If the bottle adapter is connected first, CO<sub>2</sub> gas will bleed from the bottle since the bottle does not have a shut off valve. The regulator should be in the closed position so that CO<sub>2</sub> does not drain when the main assembly is attached to the paintball bottle.

### Step: 3/3



**NOTE:** To refill the paintball bottle, remove the adapter from the bottle first.



After the adapter is attached to the regulator, the main assembly can be attached to the paintball bottle.

### LIMITED WARRANTY

Aquatic Life, LLC warrants that this adapter shall be free from defective components and leaks or cracks due to defects in materials or workmanship for a period of twelve (12) months from the date of purchase. If a defect is shown, Aquatic Life, LLC will, at Aquatic Life's sole discretion, either repair or replace the product without charge. No cash refunds will be made. This warranty is provided solely to the original consumer purchaser of the product and may not be transferred or assigned.

This warranty does not apply to damage resulting from accident, misuse, abuse, lack of reasonable care, failure to follow safety and installation instructions, use of the product with non-standard electrical service, or any other defect not resulting from defects in the electrical components of the product or defects in materials or workmanship. This warranty will not be effective unless and until the Aquatic Life product is shown to have been used in accordance with the safety and installation instructions accompanying the product. THIS CONSTITUTES AQUATIC LIFE'S ENTIRE WARRANTY AND AQUATIC LIFE MAKES

NO OTHER WARRANTIES, WHETHER EXPRESS OR IMPLIED, WITH RESPECT TO THE PRODUCT. AQUATIC LIFE, LLC SPECIFICALLY DISCLAIMS ANY AND ALL IMPLIED WARRANTIES, INCLUDING, WITHOUT LIMITATION, WARRANTIES OF MERCHANTABILITY AND FITNESS FOR A PARTICULAR PURPOSE. IF AQUATIC LIFE, LLC CANNOT LAWFULLY DISCLAIM IMPLIED WARRANTIES UNDER THIS LIMITED WARRANTY, ALL SUCH WARRANTIES, INCLUDING WARRANTIES OF MERCHANTABILITY AND FITNESS FOR A PARTICULAR PURPOSE ARE LIMITED IN DURATION TO THE DURATION OF THIS WARRANTY. AQUATIC LIFE IS NOT RESPONSIBLE FOR DIRECT, SPECIAL, INCIDENTAL OR CONSEQUENTIAL DAMAGES RESULTING FROM ANY BREACH OF WARRANTY OR CONDITION, OR UNDER ANY OTHER LEGAL THEORY. AQUATIC LIFE, LLC EXPRESSLY DISCLAIMS ALL ALLEGED DAMAGES FOR LOSS OF MARINE LIFE, PERSONAL INJURY, AND/OR PROPERTY DAMAGE. Some states and provinces do not allow the exclusion or limitation of incidental or consequential damages or exclusions or limitations on the duration of implied warranties or conditions, so the above limitations or exclusions may not apply to you. This warranty gives you specific legal rights, and you may also have other rights that vary by state or province.

P/N 9000232 (05/11)



Bringing the Ocean to You, Wherever You May Be  
and Life Rewards are trademarks of  
Aquatic Life LLC  
Commerce, CA 90040  
[www.aquaticlife.com](http://www.aquaticlife.com)

© Copyright Aquatic Life LLC

REV 05/11